

# ASSEMBLY AND INSTALLATION INSTRUCTIONS

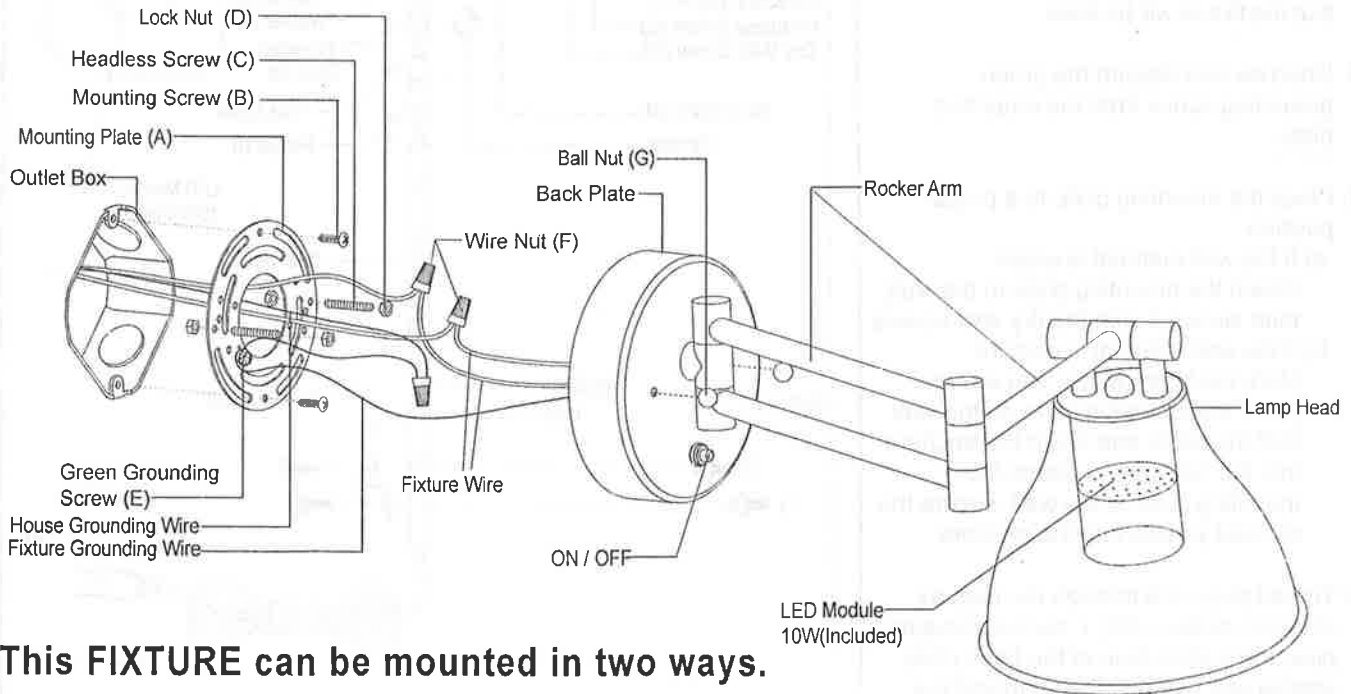
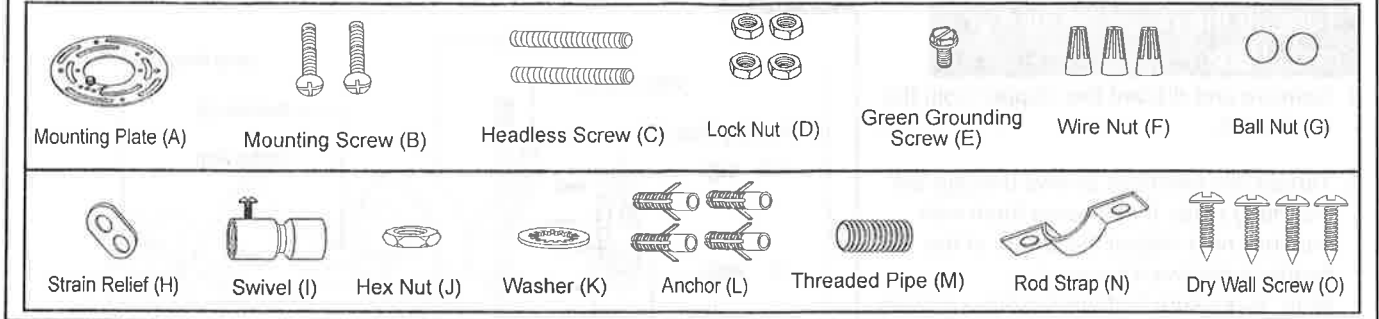
W0174 / W0175

**WARNING:** TO AVOID RISK OF ELECTRICAL SHOCK, BE SURE TO SHUT OFF POWER WHILE INSTALLING OR SERVICING THIS FIXTURE.

**NOTES:** 1. Before installing, consult local electrical codes for wiring and grounding requirements.  
2. READ AND SAVE THESE INSTRUCTIONS.

**Warning:** LED electronics can be damaged by electro static discharge (ESD) shock. Before installation, discharge yourself by touching a grounded bare metal surface to remove this hazard. To avoid damage, do not touch the LED module.

## Hardware Package (included):



**This FIXTURE can be mounted in two ways.**

### Option 1: (Hard Wire Installation)

#### Assembly Instructions:

Turn off the power at fuse or circuit box.

1. Thread two headless screws through the mounting plate, then secure them with four lock nuts (two on each side of the mounting plate). Adjust the length of the headless screws if necessary.  
Note: Make sure that the headless screws are lined up horizontally, in order to ensure that the fixture will be level.
2. Attach the mounting plate to the outlet box by using two mounting screws.

3. Pull out the source wires from the outlet box. Make wire connections using wire nuts as follows:
  - Connect the hot wire (usually black insulation) from the fixture to the black wire from the power source.
  - Connect the neutral wire (usually white insulation) from the fixture to the white wire from the power source.
  - Attach the fixture grounding wire (usually bare wire) to the mounting plate with the green grounding screw, then connect it to the house grounding wire with a wire nut. If your outlet box does not have a house grounding wire, then wrap the fixture grounding wire around the green grounding screw.
 Carefully tuck the wires back into the outlet box.

4. Attach the back plate to the mounting plate by inserting the headless screws, then secure it with the ball nuts.

5. Swing the rocker arms and lamp head to reach desired position to receive light.

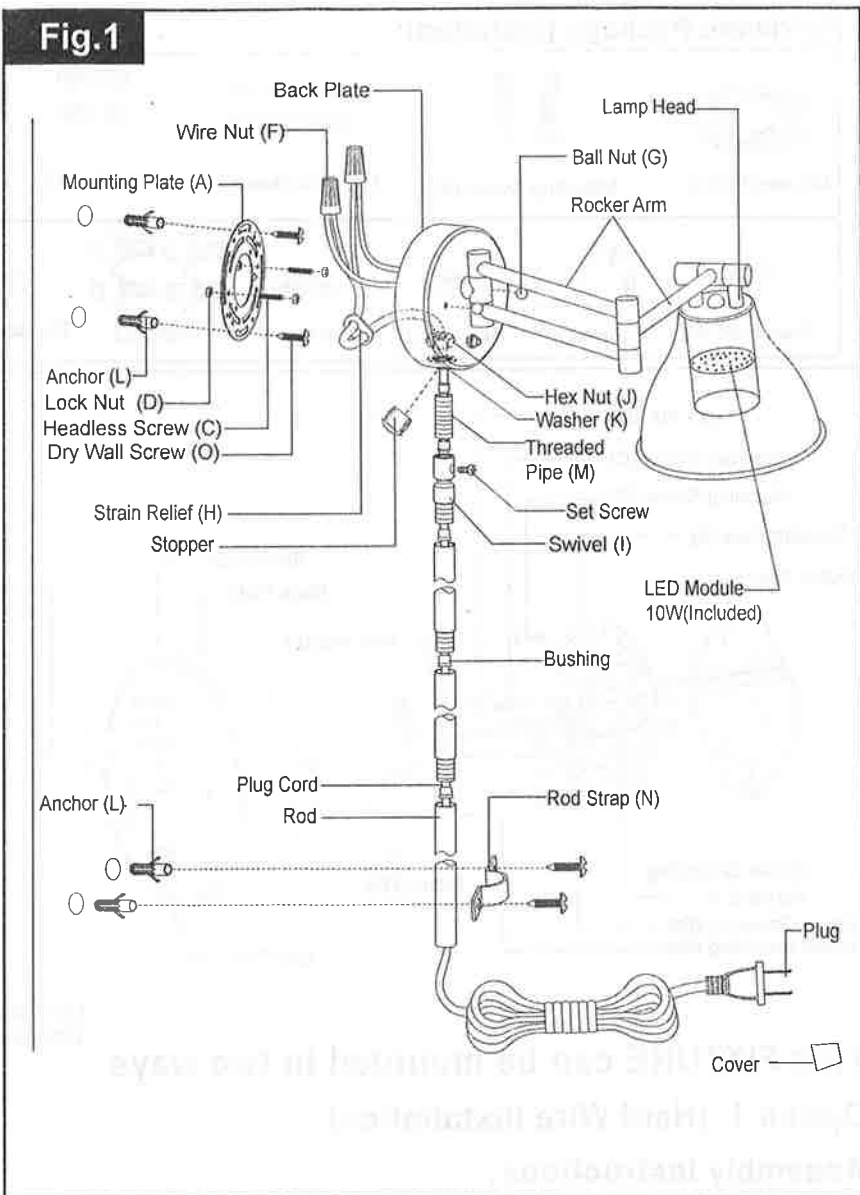
Turn on the power at fuse or circuit box.

## Option 2: (Plug-in Installation)

### Assembly Instructions:

Turn off the power at fuse or circuit box.

1. Remove and discard the stopper from the back plate.
2. Thread two headless screws through the mounting plate, then secure them with four lock nuts. Adjust the length of the headless screws if necessary.  
Note: Make sure that the headless screws are lined up horizontally, in order to ensure that the fixture will be level.
3. Unscrew and discard the green grounding screw from the mounting plate.
4. Place the mounting plate to a proper position.
  - a) If the wall material is wood:  
Attach the mounting plate to the wall, then secure it with the dry wall screws
  - b) If the wall material is cement:  
Mark the holes where you want to place the mounting plate on the wall. Drill the holes and insert the anchors into the holes, then attach the mounting plate to the wall, secure the dry wall screws into the anchors.
5. Thread plug cord through the rods as shown in order in Fig.1, swivel, threaded pipe, the bottom hole of the back plate, washer, and hex nut, then connect the rods.
6. Secure the assembled rods to the back plate by using the washer and hex nut.



7. Thread the plug cord through two holes of the strain relief. Pull the plug cord down until the strain relief touches the back plate.

Note: Adjust the strain relief can decrease or increase the length of the exposed plug cord.

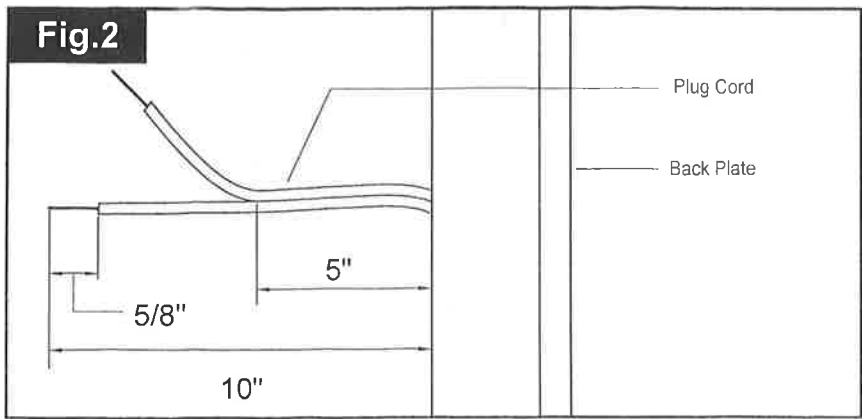
8. Cut any excess plug cord leaving 10 inches from the back plate. Slit the plug cord apart in 5 inches. Peel off insulation of the two wires in 5/8 inch. (See Fig.2)

9. Pull out the source wires from the back plate. Make wire connections using wire nuts as follows:

---The black wire from the back plate to the smooth wire (marked) from the plug cord.

---The white wire from the back plate to the ridged wire (unmarked) from the plug cord.

Carefully put the wires back into the back plate.



10. Attach the back plate to the mounting plate by inserting the headless screws, then secure it with the ball nuts.

11. Attach the rode strap to the connected rod at the bottom, then secure it to the wall by using dry wall screws.

a) If the wall material is wood:

Attach the rode strap to the wall, thread the dry wall screws through the holes on rod strap, then secure them to the wall.

b) If the wall material is cement:

Mark the holes where you want to place the rod strap on the wall. Drill the holes and insert the anchors into the holes, then attach the rod strap to the wall, thread the dry wall screws through holes on rod strap, and then secure them into the anchors.

12. Insert the plug into the wall receptacle.

Note: Remove the cover from the plug when the plug is used for the first time.

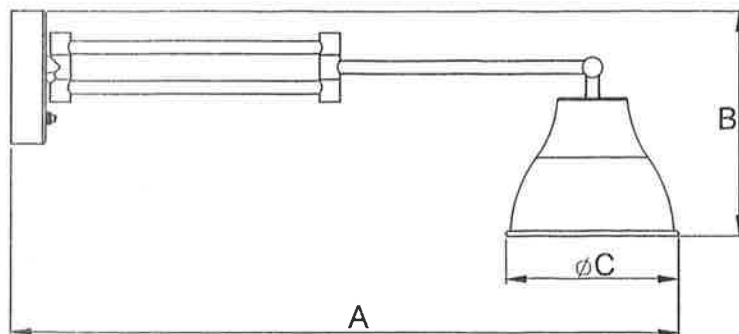
13. Swing the rocker arms and lamp head to reach desired position to receive light.

Turn on the power at fuse or circuit box.

The following parts are available for re-order if damaged or missing.

**Spare Parts List:**

					<p>Mounting Hardware 5343MM (1 SET) for W0174 5344MM (1 SET) for W0175</p>
					<p>Rod 3037RD (1 PC) for W0174 3038RD (1 PC) for W0175</p> <p>Assembly Kit 5356MM (1 SET) for W0174 5357MM (1 SET) for W0175</p>



A: 6-3/4"

B: 10"

C: 29"

