

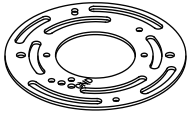
ASSEMBLY AND INSTALLATION INSTRUCTIONS

W0330

WARNING: TO AVOID RISK OF ELECTRICAL SHOCK, BE SURE TO SHUT OFF POWER WHILE INSTALLING OR SERVICING THIS FIXTURE.

NOTES: 1. Before installing, consult local electrical codes for wiring and grounding requirements.
2. READ AND SAVE THESE INSTRUCTIONS.

Hardware Package (included):



Mounting plate (A)



Mounting Screw (B)



Green Grounding Screw (C)



Wire Connector (D)



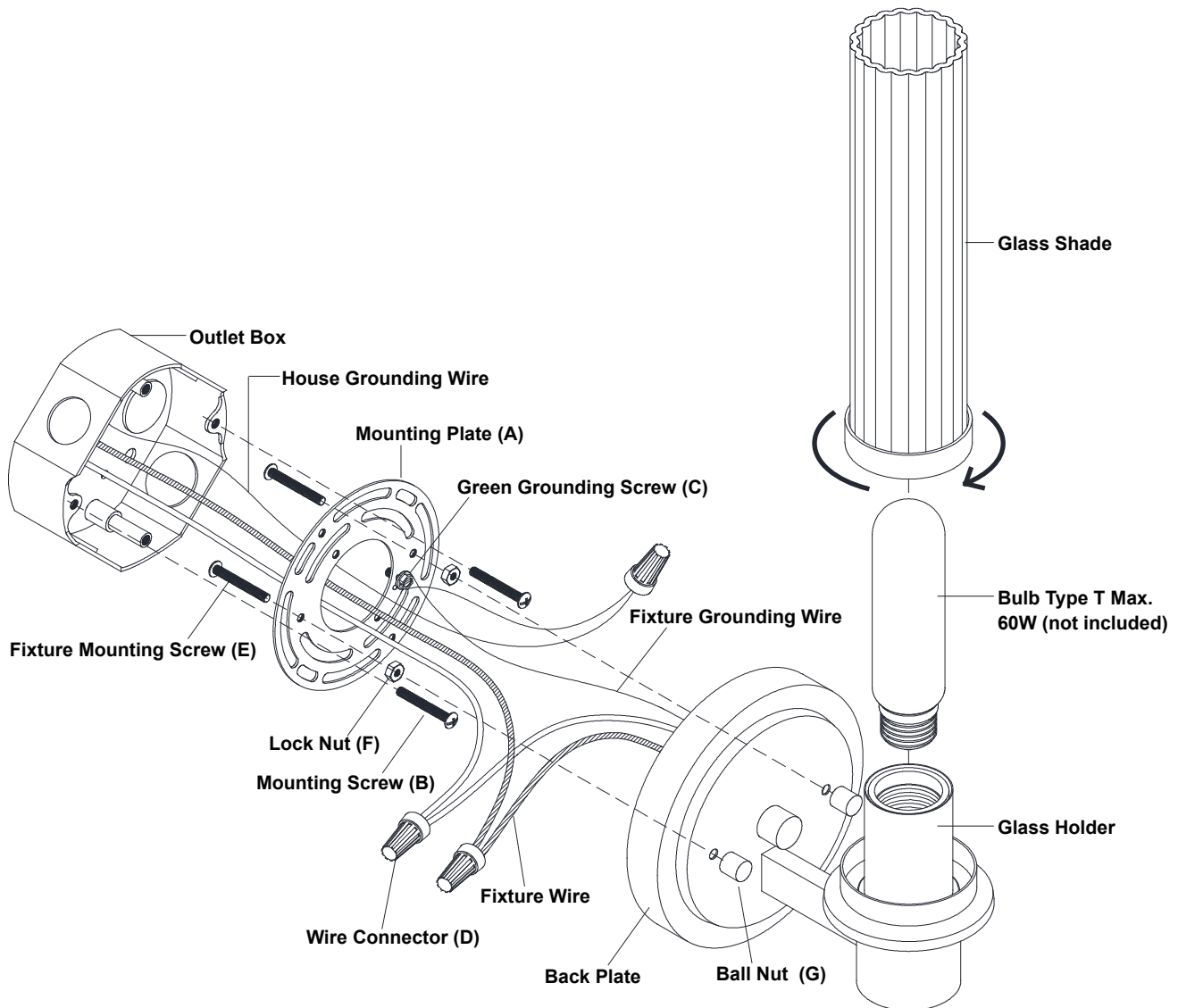
Fixture Mounting screw (E)



Lock Nut (F)



Ball Nut (G)



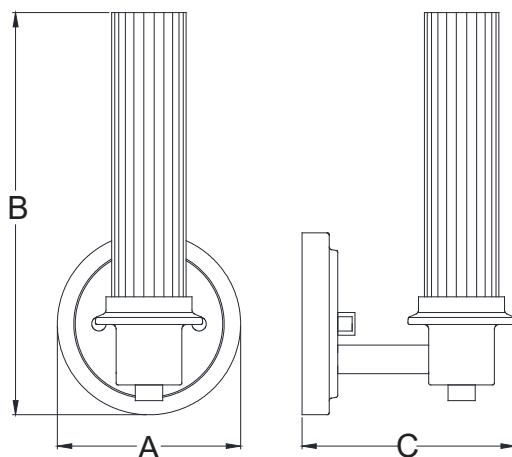
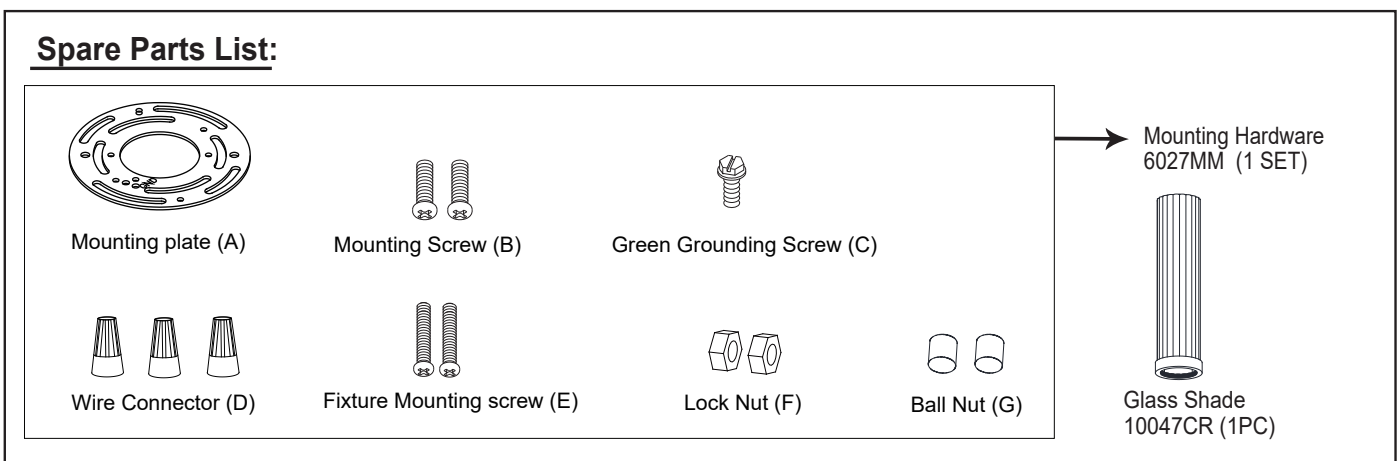
Installation Steps

Turn off the power at fuse or circuit box.

1. Attach the mounting plate to the outlet box by using two mounting screws. Adjust fixture mounting screws-loosen the nut, adjust length as necessary, and tighten back down.
2. Pull out the source wires from the outlet box. Make wire connections using wire connectors as follows:
 - Connect the hot wire (usually black insulation) from the fixture to the black wire from the power source.
 - Connect the neutral wire (usually white insulation) from the fixture to the white wire from the power source.
 - Attach the fixture grounding wire (usually green insulation or bare wire) to the mounting plate with the green grounding screw, and then connect it to the house grounding wire with the wire connector.Carefully put the wires back into the outlet box.
3. Attach the back plate to the mounting plate through screw holes as shown, and secure with ball nuts.
4. Install a bulb (not included). Check relamping label at socket area or packaging for maximum allowed wattage.
5. Attach the glass shade to the glass holder directly.

Turn on the power at fuse or circuit box.

The following parts are available for re-order if damaged or missing.



A: 5"
B: 11-1/8"
C: 5-7/8"